

Created by **Bellucci, Daniele**

Denomination  
**GENERAL ASSEMBLY 90-120X50 FLAT CEILING EMC SI000**

Lang **EN**  Sheet **1/2**

Modif.by **Bellucci, Daniele**

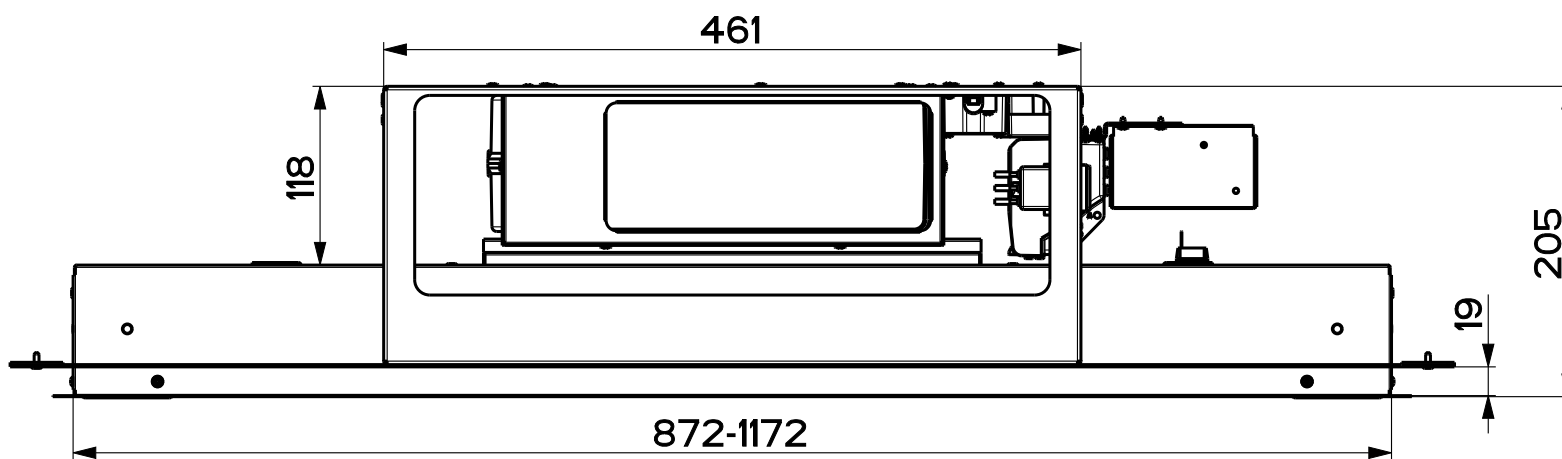
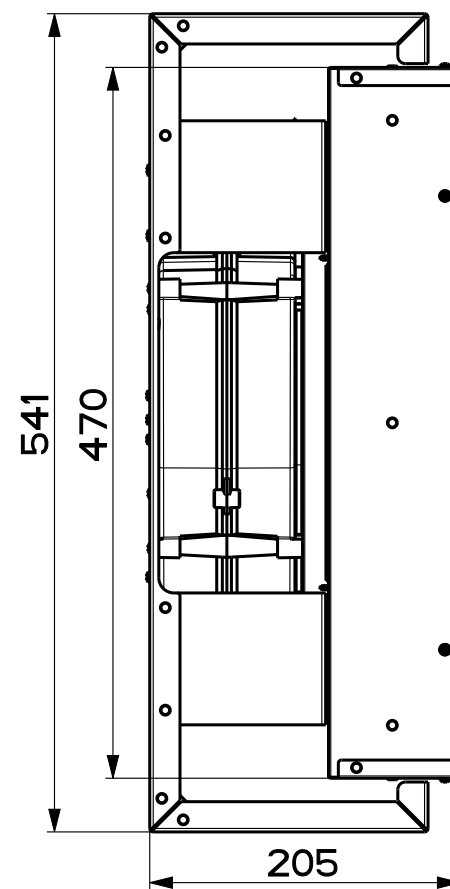
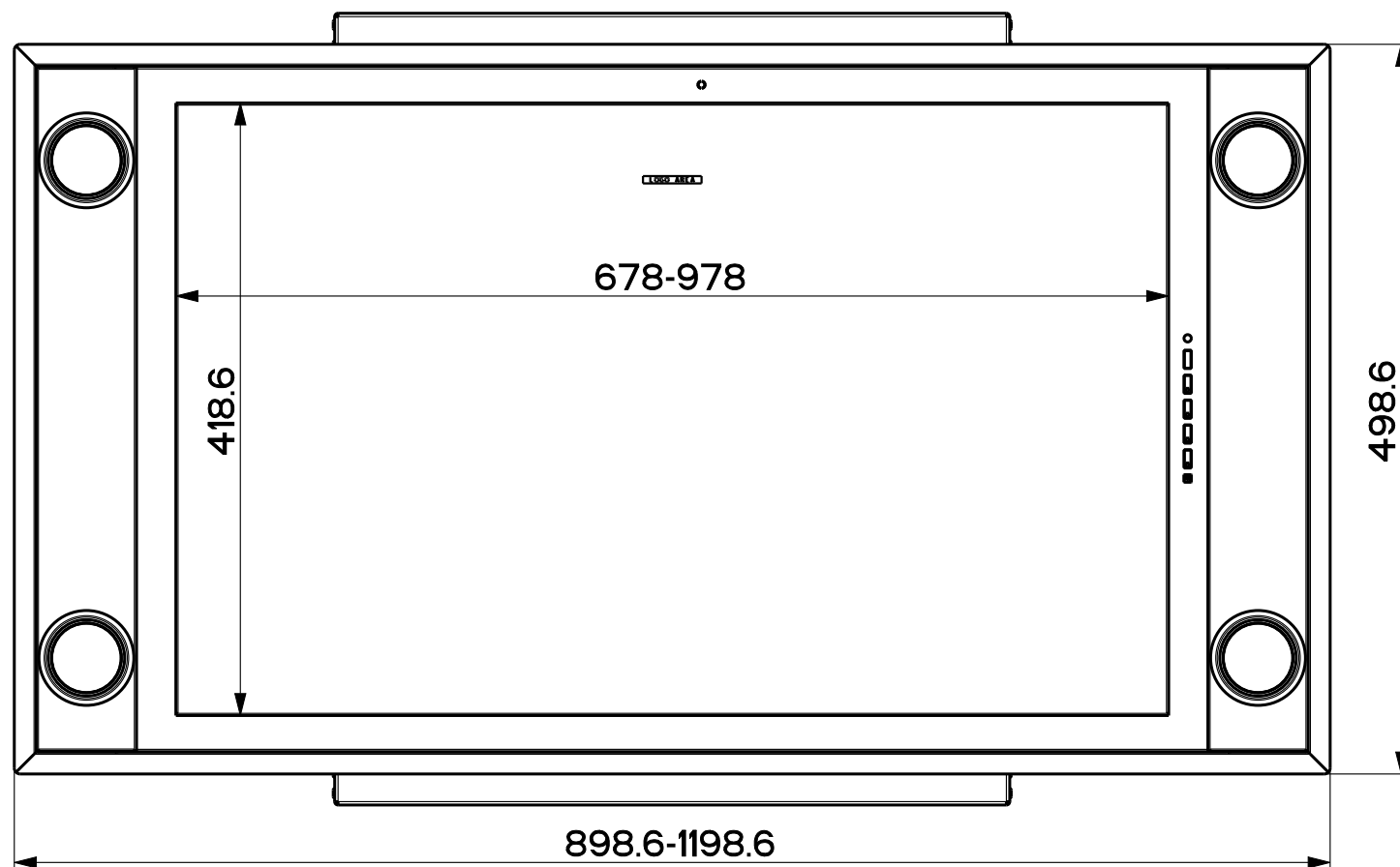
Approved by **Bellucci, Daniele**

Approval date **14-Oct-2021**

Doc. status **Released**

Drawing N.  
**59A\_1047**

Rev  
**01**



Created by <b>Bellucci, Daniele</b>	
Denomination <b>GENERAL ASSEMBLY 90-120X50 FLAT CEILING EMC S1000</b>	
Lang <b>EN</b>	Sheet <b>2/2</b>
Modif. by <b>Bellucci, Daniele</b>	
Approved by <b>Bellucci, Daniele</b>	
Approval date <b>14-Oct-2021</b>	
Doc. status <b>Released</b>	
Drawing N. <b>59A_1047</b>	Rev <b>01</b>